

SPARE PARTS LIST

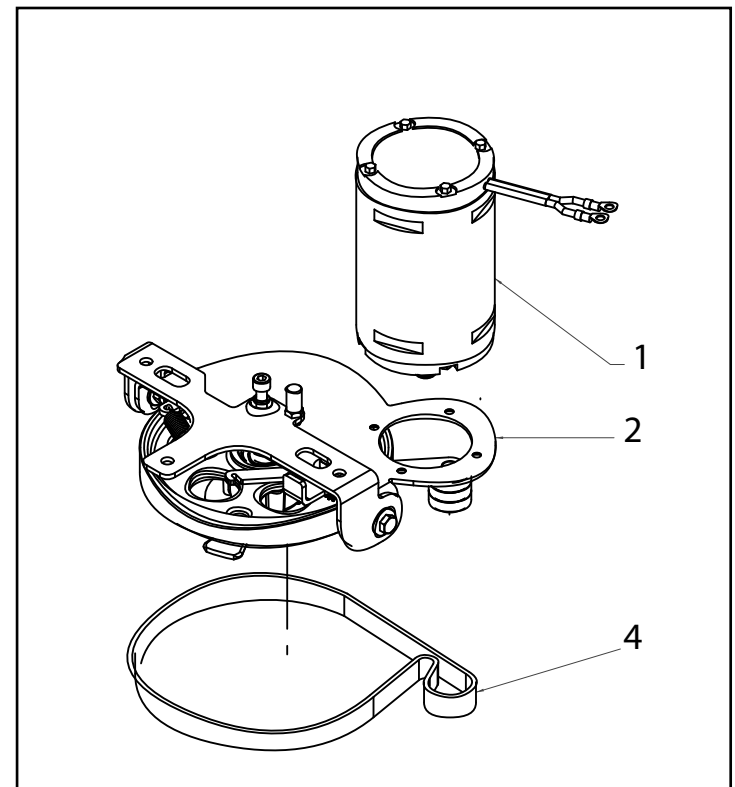
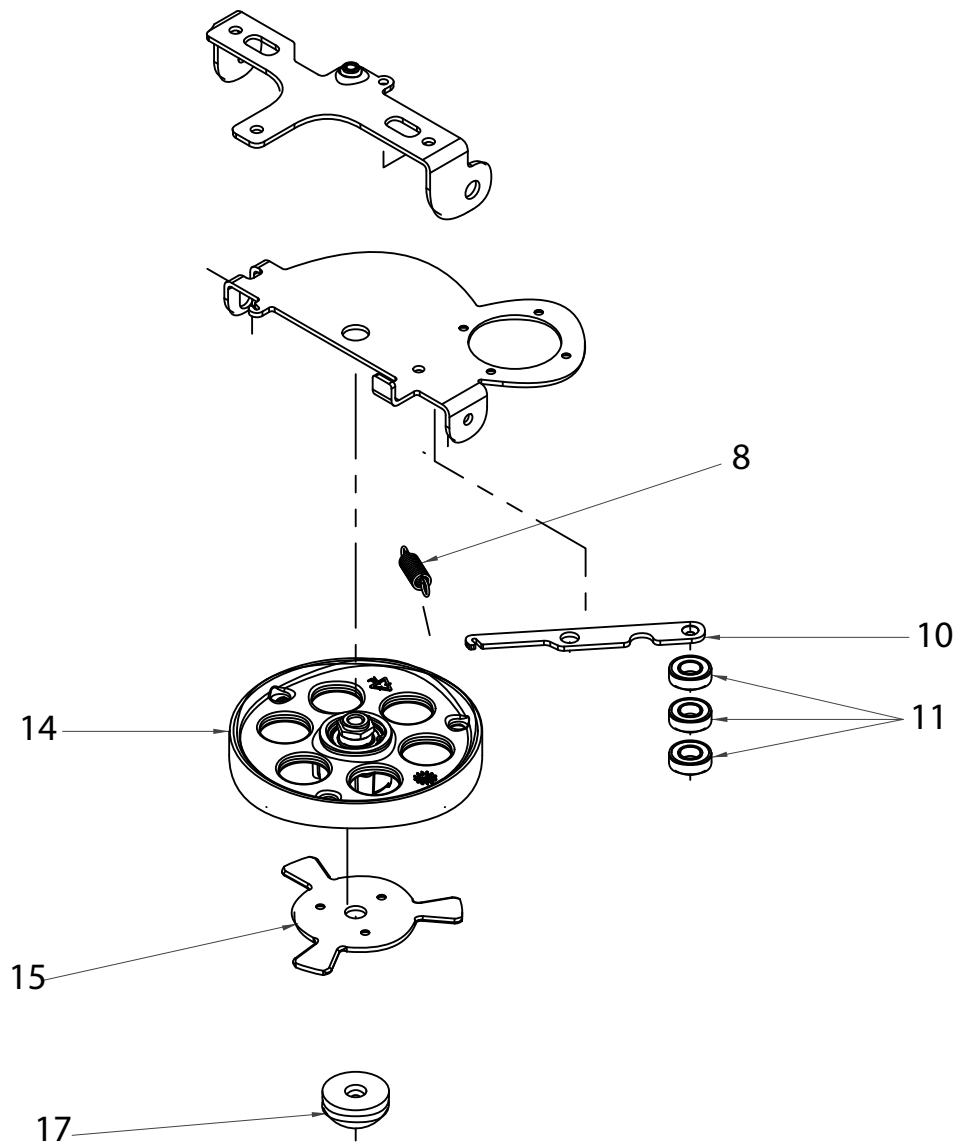
CODE: 8.518.0004 REV.: 1 DESCRIPTION: LAVASCIUGA SCL QUICK 36E 230/
50 G/GR.SCURO -LWS- EU

VALID FROM: 27/03/2008 VALID TILL: 01/01/3000

GROUP CODE: R55090002 REV.: 1 DESCRIPTION: AXLE

VALID FROM: 13/05/2008 VALID TILL: 01/01/3000 TABLE N: E8518R001/01

CODE:	DESCRIPTION:	QTY':	POS.:	RIF1:	RIF2:
5.511.1397	WHEEL SHAFT ASSEMBLY	1	01		
3.099.1066	CAP FOR WHEEL - GREY	2	03		
3.006.0127	LOOSE WHEEL D=210 L=42 D10	2	05		



SPARE PARTS LIST

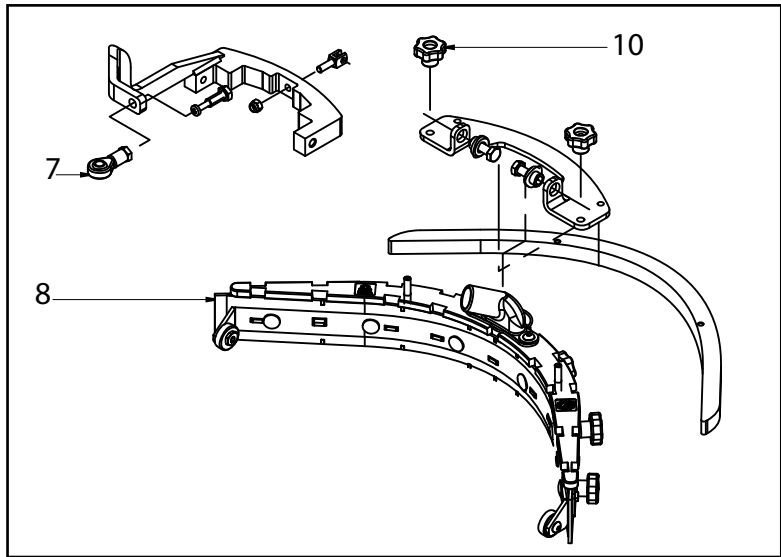
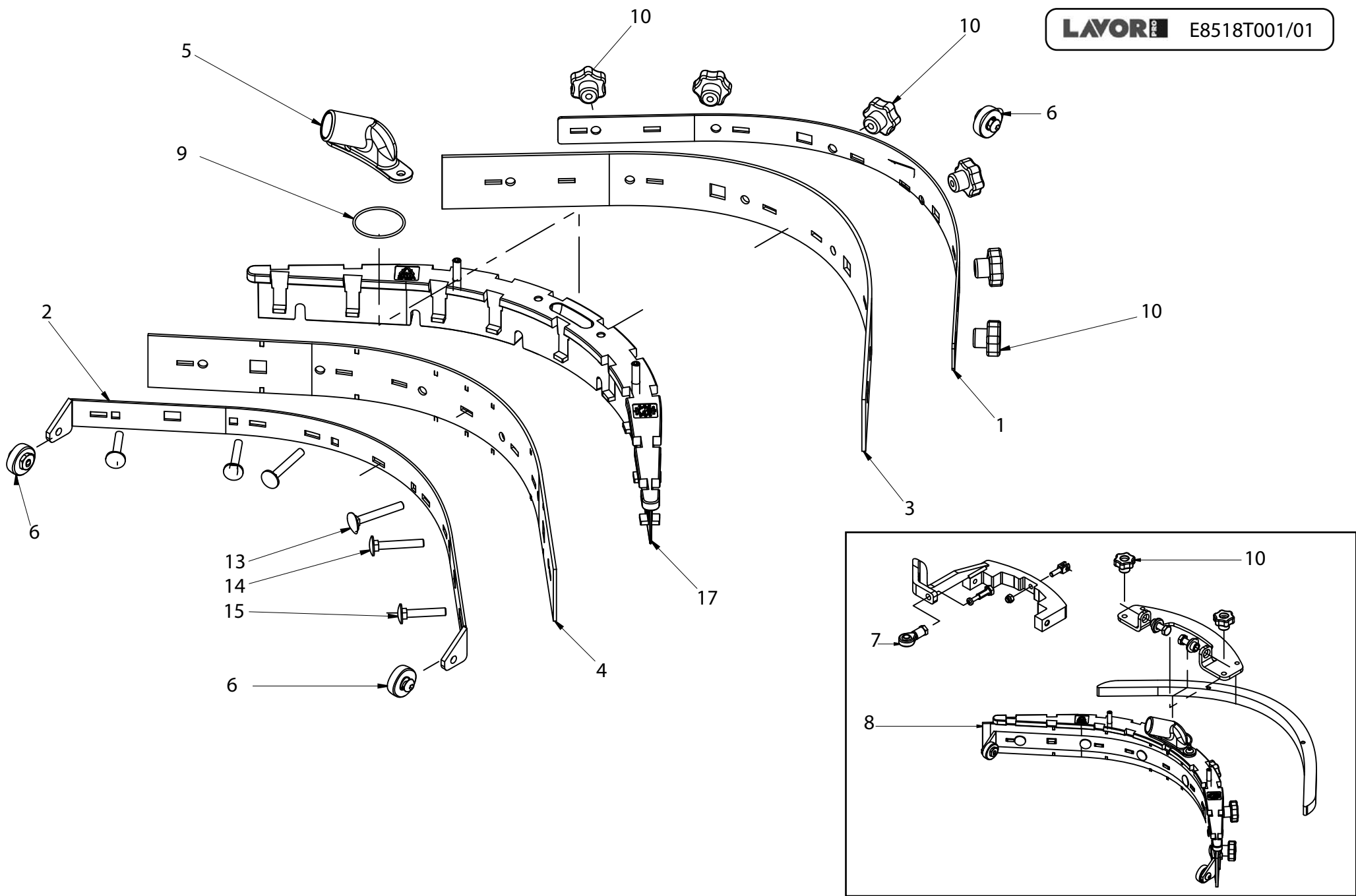
CODE: 8.518.0004 REV.: 1 DESCRIPTION: LAVASCIUGA SCL QUICK 36E 230/
50 G/GR.SCURO -LWS- EU

VALID FROM: 27/03/2008 VALID TILL: 01/01/3000

GROUP CODE: R55091443 REV.: 1 DESCRIPTION: BRUSH PLATE

VALID FROM: 13/05/2008 VALID TILL: 01/01/3000 TABLE N: E8518P001/01

CODE:	DESCRIPTION:	QTY':	POS.:	RIF1:	RIF2:
5.501.0062	BRUSH MOTOR 220 VOLT	1	01		
5.511.1386	BRUSH PLATE COMPLETE	1	02		
3.099.1394	BRUSH BELD	1	04		
4.507.1272	SPRING	1	08		
4.507.1124	BELD LEVER	1	10		
3.001.0032	BEARING 6002 2RS1	3	11		
5.511.1385	PULLEY ASSEMBLY	1	14		
4.507.0300	BRUSH COUPLING	1	15		
4.508.0290	BRUSH COUPLING CENTERING BUSHI	1	17		



SPARE PARTS LIST

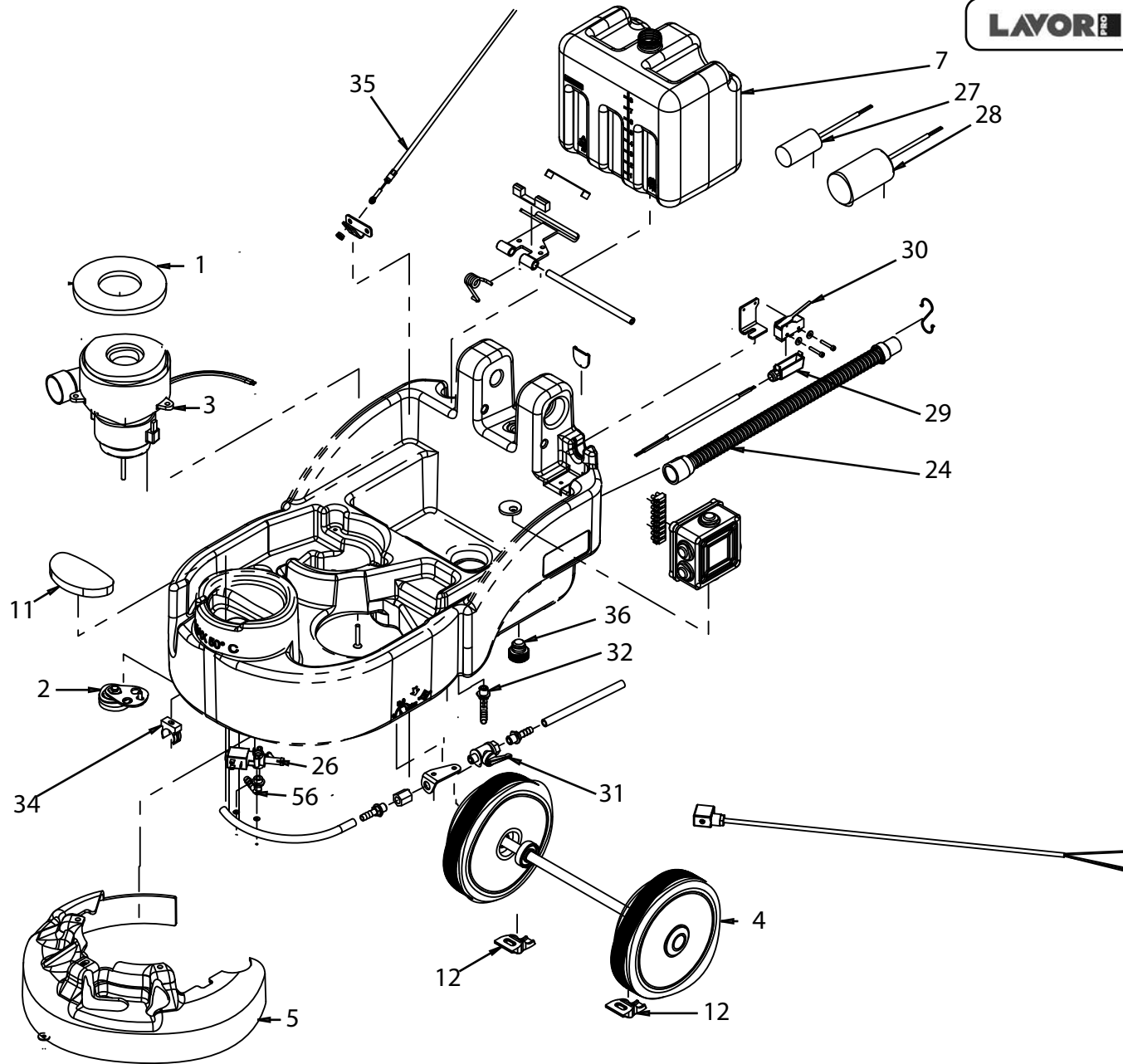
CODE: 8.518.0004 REV.: 1 DESCRIPTION: LAVASCIUGA SCL QUICK 36E 230/
50 G/GR.SCURO -LWS- EU

VALID FROM: 27/03/2008 VALID TILL: 01/01/3000

GROUP CODE: R55091444 REV.: 1 DESCRIPTION: SQUEEGEE

VALID FROM: 13/05/2008 VALID TILL: 01/01/3000 TABLE N: E8518T001/01

CODE:	DESCRIPTION:	QTY':	POS.:	RIF1:	RIF2:
5.513.0235	REAR SQUEEGEE BLADE HOLDER PLA TE	1	01		
5.513.0234	FRONT SQUEEGEE BLADE HOLDER PL ATE	1	02		
4.508.1041	REAR SQUEEGEE (NATURAL RUBBER)	1	03		
4.508.1040	FRONT SQUEEGEE BLADE (NATURAL RUBBER)	1	04		
4.508.1039	VACCUM RACCORD	1	05		
5.511.1510	SQUEEGEE WHEEL KIT	3	06		
3.099.1226	SPHERE CONNECTION	1	07		
5.511.1396	SQUEEGEE ASSEMBLY	1	08		
3.200.0212	O-RING	1	09		
3.099.0477	KNOB M6	6	10		
3.002.0822	SCREW M6 X 45	2	13		
3.002.0821	SCREW M6 X 40	2	14		
3.002.0820	SCREW M6 X 35	2	15		
5.511.1477	SQUEEGEE ASSEMBLY	1	17		



SPARE PARTS LIST

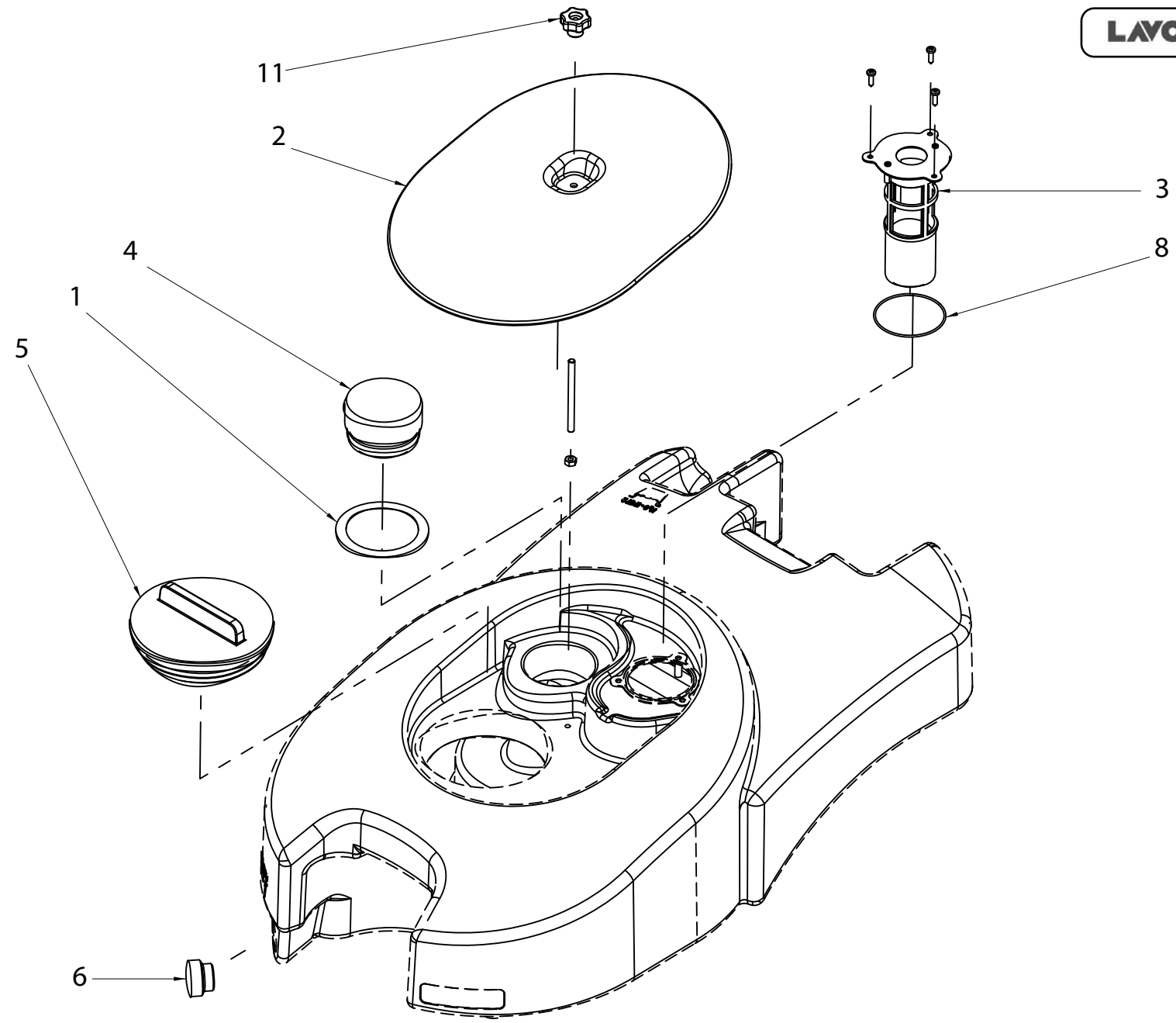
CODE: 8.518.0004 REV.: 1 DESCRIPTION: LAVASCIUGA SCL QUICK 36E 230/
50 G/GR.SCURO -LWS- EU

VALID FROM: 27/03/2008 VALID TILL: 01/01/3000

GROUP CODE: R55091445 REV.: 1 DESCRIPTION: COMPONENTS

VALID FROM: 27/03/2008 VALID TILL: 01/01/3000 TABLE N: E8518Q002/01

CODE:	DESCRIPTION:	QTY':	POS.:	RIF1:	RIF2:
4.508.0123	SUCTION MOTOR GASKET	1	01		
5.511.1407	BUMPER WHEEL SUPPORT COMPLETE	1	02		
5.511.1398	VACCUM MOTOR ASSEMBLY	1	03		
5.511.1397	WHEEL SHAFT ASSEMBLY	1	04		
4.513.0375	BRUSH CARTER	1	05		
4.508.1046	BALLAST	1	07		
4.508.0739	COVER	1	11		
4.508.0689	FIXING WHEEL AXLE - SWIFT B	2	12		
3.752.0190	VAC HOSE	1	24		
3.412.0029	SOLENOID VALVE	1	26		
3.404.0077	CAPACITOR	1	27		
3.404.0076	CAPACITOR	1	28		
3.401.0176	CONNECTION PROTECTION	1	29		
3.401.0175	MICROSWITCH	1	30		
3.105.0012	VALVE	1	31		
3.100.0344	RACCORD 90°	1	32		
3.099.1409	CLIPS	1	34		
3.099.1459	SQUEEGEE LIFT CABLE COMPLETE	1	35		
5.511.1507	DRAIN CAP	1	36		
4.508.1055		1	56		



SPARE PARTS LIST

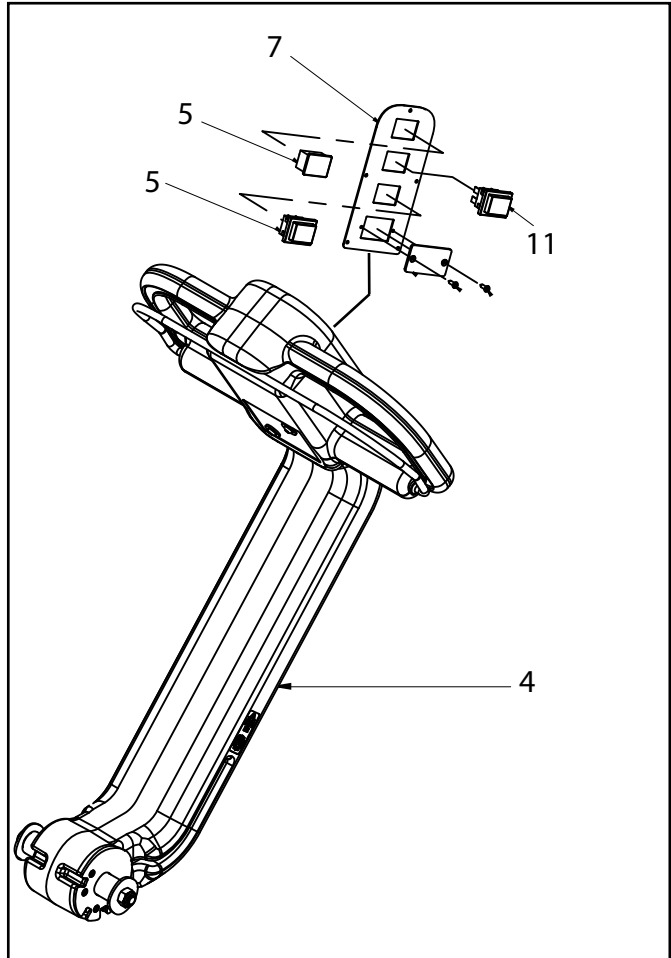
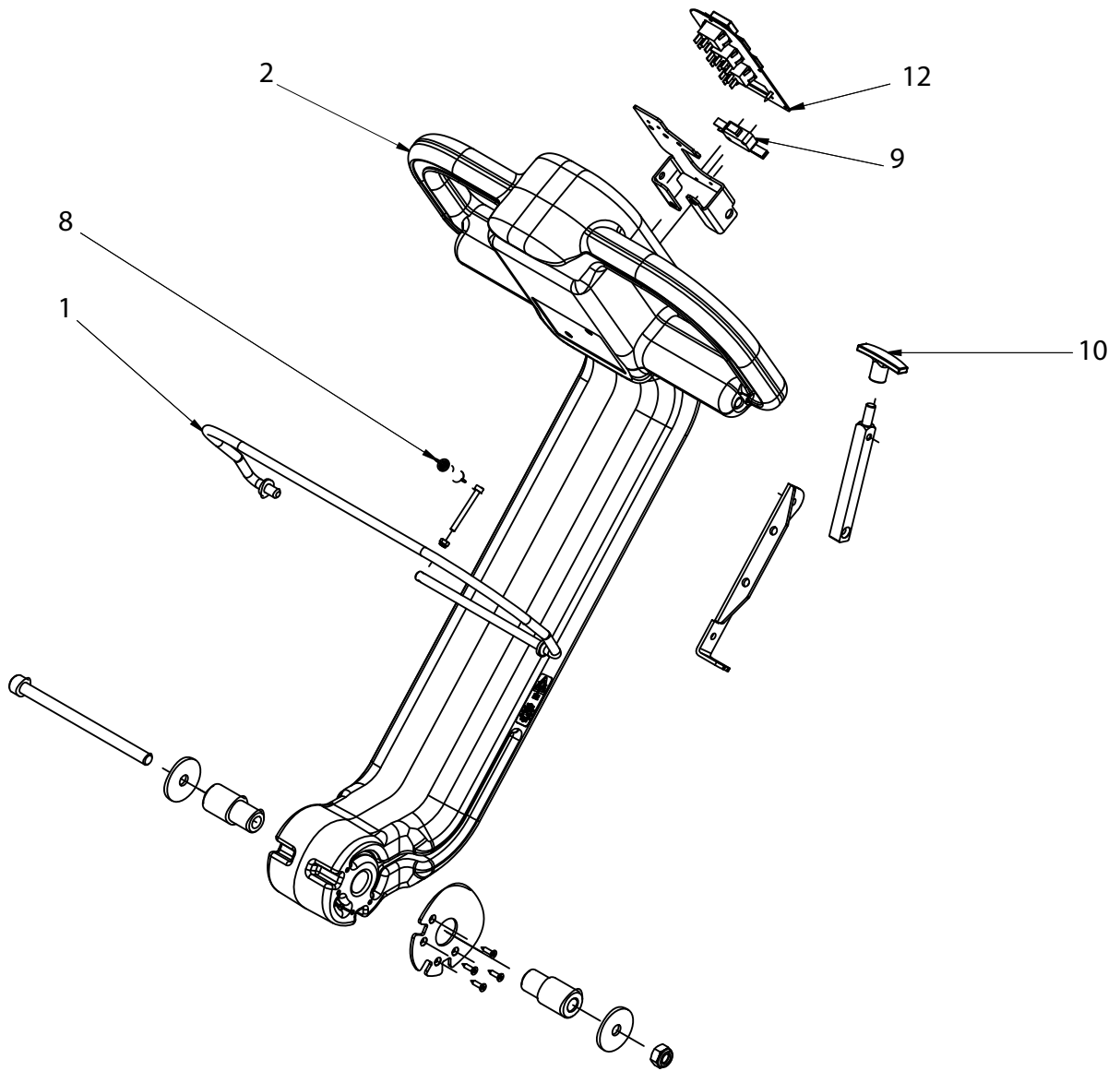
CODE: 8.518.0004 REV.: 1 DESCRIPTION: LAVASCIUGA SCL QUICK 36E 230/
50 G/GR.SCURO -LWS- EU

VALID FROM: 27/03/2008 VALID TILL: 01/01/3000

GROUP CODE: R55091447 REV.: 1 DESCRIPTION: CAPS AND COVERS

VALID FROM: 13/05/2008 VALID TILL: 01/01/3000 TABLE N: E8518S001/01

CODE:	DESCRIPTION:	QTY':	POS.:	RIF1:	RIF2:
7.503.0376	STICKER FOR SUCTION MOTOR COMP ARTMENT	1	01		
5.511.1400	VACCUM COVER ASSEMBLY	1	02		
5.511.1401	FLOAT ASSEMBLY	1	03		
5.511.1511	KIT FILTRE	1	04		
5.511.1512	CAP KIT	1	05		
5.511.1513	CAP KIT WITH GASKET	1	06		
3.200.0214	O-RING	1	08		
3.099.0477	KNOB M6	1	11		



SPARE PARTS LIST

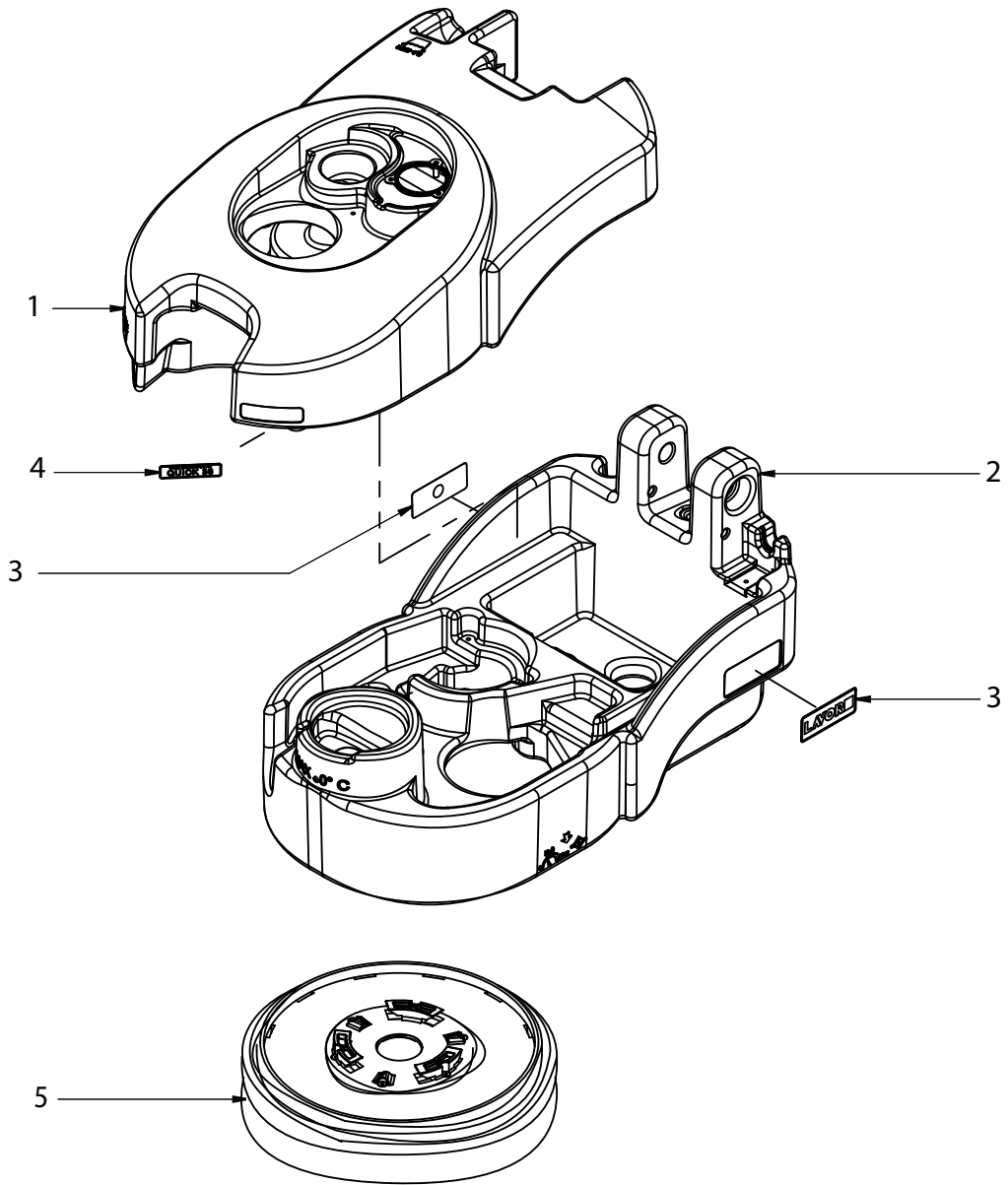
CODE: 8.518.0004 REV.: 1 DESCRIPTION: LAVASCIUGA SCL QUICK 36E 230/
50 G/GR.SCURO -LWS- EU

VALID FROM: 27/03/2008 VALID TILL: 01/01/3000

GROUP CODE: R55091449 REV.: 1 DESCRIPTION: HANDLE

VALID FROM: 27/03/2008 VALID TILL: 01/01/3000 TABLE N: E8518M002/01

CODE:	DESCRIPTION:	QTY':	POS.:	RIF1:	RIF2:
5.513.0239	COMAND LEVER	1	01		
4.508.1035	HANDLE	1	02		
5.511.1404	HANDLE ASSEMBLY	1	04		
5.009.0480	RED BACKLIGHTED DOUBLE SWITCH	2	05		
4.505.0231	DASH BOARD	1	07		
4.507.0522	SPRING	1	08		
3.099.1338	TIE ROD	1	10		
5.009.0293	RED BACKLIGHTED SWITCH WITH PR	1	11		
3.499.0398	DASHBOARD COMPLETE WITH WIRING	1	12		



SPARE PARTS LIST

CODE: 8.518.0004 REV.: 1 DESCRIPTION: LAVASCIUGA SCL QUICK 36E 230/
50 G/GR.SCURO -LWS- EU

VALID FROM: 27/03/2008 VALID TILL: 01/01/3000

GROUP CODE: R55091508 REV.: 1 DESCRIPTION: CHASSIS

VALID FROM: 27/03/2008 VALID TILL: 01/01/3000 TABLE N: E8518A002/01

CODE:	DESCRIPTION:	QTY':	POS.:	RIF1:	RIF2:
4.508.1037	DIRTY WATER TANK	1	01		
4.508.1042	CLEAR WATER TANK	1	02		
7.503.0482	STICKER	2	03		
7.503.0481	STICKER	1	04		
5.511.1346	BRUSH ASSEMBLY COMPLETE	1	05		

SPARE PARTS LIST

CODE: 8.518.0004 **REV.:** 1 **DESCRIPTION:** LAVASCIUGA SCL QUICK 36E 230/
50 G/GR.SCURO -LWS- EU

VALID FROM: 27/03/2008 **VALID TILL:** 01/01/3000

GROUP CODE: R8518SE02 **REV.:** 1 **DESCRIPTION:** WARNIG DIAGRAM

VALID FROM: 27/03/2008 **VALID TILL:** 01/01/3000 **TABLE N:** E8518SE002/01